

# 4MP Lighthunter WDR Network IR Bullet Camera

IPC254EB-DX22GK-IO



## Key Features



- High quality image with 4MP,1/1.8" CMOS sensor
- 2688\*1520@30fps in the main stream
- Ultra 265, H.265, H.264, MJPEG
- Five streams offer more choices for different clients in an integrated solution
- 22X optical zoom allows for closer viewing of subjects
- LightHunter technology ensures ultra-high image quality in low illumination environment
- Up to 120 dB Optical WDR (Wide Dynamic Range)
- Built-in heater, support normal start-up at low temperature
- Support optical interface & network interface serial connection, reduce the cost of wiring

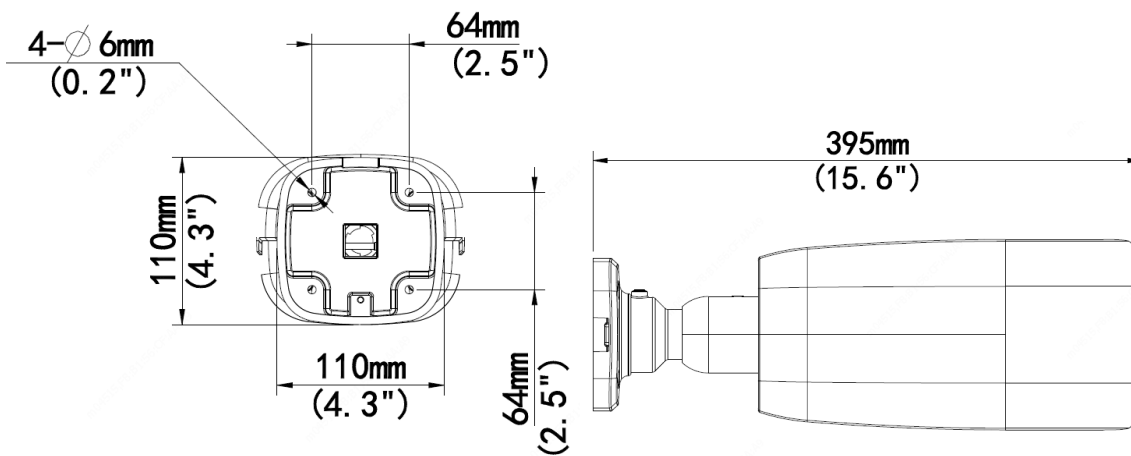
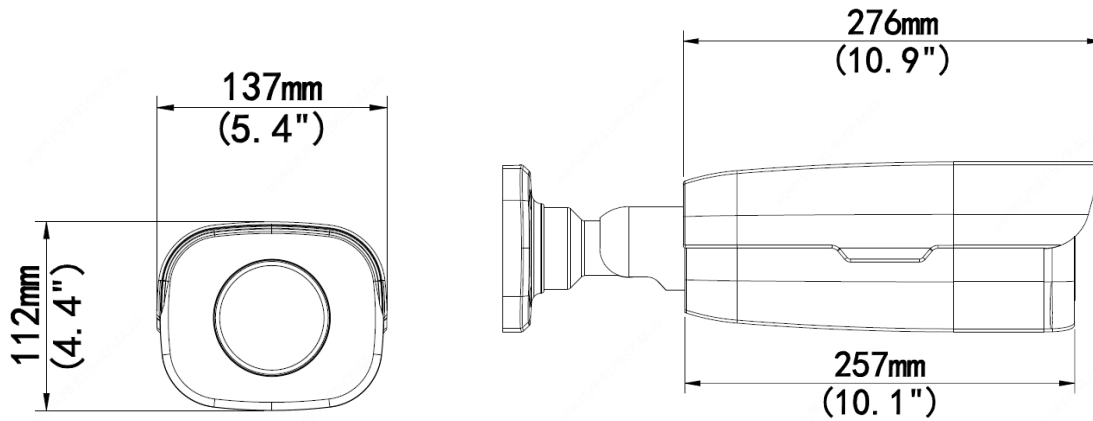
## Specifications

IPC254EB-DX22GK-I0					
<b>Camera</b>					
Sensor	1/1.8", 4.0 megapixel, progressive scan, CMOS				
Min. Illumination	Colour:0.001 lux (F1.5, AGC ON) 0 lux with IR				
Day/Night	IR-cut filter with auto switch (ICR)				
Shutter	Auto/Manual, 1 ~ 1/100000s				
WDR	120dB				
S/N	> 52dB				
<b>Lens</b>					
Lens type	6.5~143mm@F1.5, AF automatic focusing and motorized zoom lens				
Iris	DC-iris				
Angle of View (H)	3.49°~60.47°				
Angle of View (V)	1.97°~36.30°				
Angle of View (O)	4.12°~74.38°				
<b>DORI</b>					
DORI Distance	Lens (mm)	Detect (m)	Observe (m)	Recognize (m)	Identify (m)
	6.5	97.5(319.9ft)	39.0(128.0ft)	19.5(64.0ft)	9.8(32.0ft)
	143	2145.0(7037.4ft)	858.0(2815.0ft)	429.0(1407.5ft)	214.5(703.7ft)
<b>Illuminator</b>					
IR Range	Up to 150m (492.1 ft) IR range				
Wavelength	850nm				
IR On/Off Control	Auto/Manual				
<b>Video</b>					
Video Compression	Ultra 265, H.265, H.264, MJPEG				
Frame Rate	Main Stream: 4MP (2688*1520),Max 30fps; Sub Stream: 1080P (1920*1080), Max 30fps; Third Stream: D1 (720*576), Max 30fps; Fourth Stream: D1 (720*576), Max 30fps; Fifth Stream: D1 (720*576), Max 30fps;				
Video Bit Rate	128 Kbps~16 Mbps				
U-code	Support				
ROI	Up to 8 areas				
Video stream	Five streams				
OSD	Up to 8 OSDs				
Privacy Mask	Up to 4 areas per scene				
<b>Image</b>					
White Balance	Auto/Outdoor/Fine Tune/Sodium Lamp/Locked/Auto2				
Digital noise reduction	2D/3D DNR				
Smart IR	Support				
Flip	Normal/Flip Vertical/Flip Horizontal/180°/90°Clockwise/90°Anti-clockwise				
HLC	Support				
BLC	Support				
Defog	Digital Defog				
<b>Events</b>					

Basic Detection	Motion detection, Audio detection, Tampering alarm
General Function	Watermark, IP Address Filtering, Alarm input, Alarm output, Access Policy, ARP Protection, RTSP Authentication, User Authentication
<b>Audio</b>	
Audio Compression	G.711U, G.711A
Audio Bitrate	64 Kbps
Two-way Audio	Support
Suppression	Support
Sampling Rate	8KHz
<b>Storage</b>	
Edge Storage	Micro SD, up to 256 GB
Network Storage	ANR,NAS(NFS)
<b>Network</b>	
Protocols	IPv4, IGMP, ICMP, ARP, TCP, UDP, DHCP, PPPoE, RTP, RTSP, RTCP, DNS, DDNS, NTP, FTP, UPnP, HTTP, HTTPS, SMTP, 802.1x, SNMP, QoS, RTMP, SSL/TLS
Compatible Integration	ONVIF (Profile S, Profile G, Profile T), API, SDK
User/Host	Up to 32 users. 2 user levels: administrator and common user
Security	Password protection, strong password, HTTPS encryption, Export operation logs, basic and digest authentication for RTSP, digest authentication for HTTP, TLS 1.2, WSSE and digest authentication for ONVIF
Client	EZStation EZLive EZView
Web Browser	Plug-in required live view: IE9+, Chrome 41 and below, Firefox 52 and below
<b>Interface</b>	
Audio I/O	1/1
Alarm I/O	2/1
Serial Port	1 RS485
Built-in Mic	N/A
Built-in Speaker	N/A
Built-in Heater	Support
WIFI	N/A
Network	1 * RJ45 10M/100M/1000M Base-TX Ethernet + 1 * 100M/1000M SFP
Video Output	1 BNC
<b>Certification</b>	
EMC	FCC CFR 47 Part 15 EN 55032:2015 EN 55024:2010 EN 61000-3-2:2014 EN 61000-3-3-2013
Safety	IEC 62368-1 EN 62368-1 UL 60950-1
Environment	CE-ROHS (2011/65/EU;(EU)2015/863); WEEE (2012/19/EU); REACH (Regulation (EC) No 1907/2006)
<b>General</b>	
Power	AC24V(±25%), PoE(IEEE 802.3at)
	Power consumption: Max 15.0W
Power Interface	Wires with cold-pressed terminal
Dimensions (L x W x H)	395 x 137 x 112mm (15.6" x 5.4" x 4.4")

Weight	3.7kg(8.16lb)
Working Environment	-40°C~60°C(-40°F ~ 140°F), Humidity: ≤95% RH (non-condensing)
Storage Environment	-40°C~70°C(-40°F ~ 158°F), Humidity: ≤95% RH (non-condensing)
Surge protection	6KV
Reset button	Support
Protection	Ingression protection: IP67 Vandal resistant: N/A

## Dimensions



## Accessories

TR-JB07-D-IN



TR-UP06-B-IN



TR-UP06-C-IN



TR-A01-IN



Junction Mount	Pole mount
TR-JB07-D-IN + TR-UP06-C-IN	TR-UP06-B-IN
Junction Mount	
TR-JB07-D-IN+TR-A01-IN (optional)	

**Zhejiang Uniview Technologies Co., Ltd.**

Building No.10, Wanlun Science Park, Jiangling Road 88, Binjiang District, Hangzhou, Zhejiang, China (310051)

Email: [overseasbusiness@uniview.com](mailto:overseasbusiness@uniview.com); [globalsupport@uniview.com](mailto:globalsupport@uniview.com)

<http://www.uniview.com>

©2021 Zhejiang Uniview Technologies Co., Ltd. All rights reserved.

\*Product specifications and availability are subject to change without notice